

Time for Progress...

Harp & Piano screens

FINE WIRE MESH
WOVEN WIRE MESH AND SCREEN
FINGER SCREEN
PERFORATED SCREEN
RUBBER SCREENS TENSIONED
RUBBER SCREENS MODULAR - ECOGUM
POLYURETHANE SCREEN TENSIONED
POLYURETHANE SCREEN MODULAR
SLOTTED WEDGE WIRE SCREENS
PRESSURE WELDED SCREEN - PROGRESS TYTAN

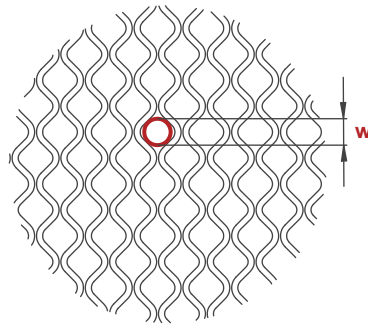


HARP SCREENS

Harp screens belong to woven wire screens group. Owing to its unique construction, wavy wires in horizontal or vertical plain and connection type can be placed in self-cleaning screens group. Wire self vibrations provide good material classification without clogging. That is why those screens are used for hard – separated, wet, clay – like materials, mainly for small fractions. Application of such screens is very wide: Harp screens are produced from round wires made of spring steel, chromium steel (stainless) and chrome – nickel steel (acid-proof).

Depending on the placement of the wavy wires and their connection type we can divide harp screens into following categories:

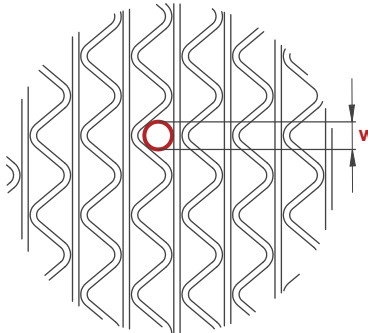
PROGRESS HARP TYPE K



This type of screens is made of round wavy, wires, curved in the horizontal working plain. Angle between the arms equals 90°. Working size of „w” opening is created by diameter of the circle written into this opening. Wires placed one next to another create openings similar to a square. Working wires are buckled together with transverse wires using polyurethane, rubber or wires inside plastic cover.

Opening sizes: 1,8 - 35,0 mm; **Ø Wire:** 0,8 - 6,3 mm

PROGRESS HARP TYPE T

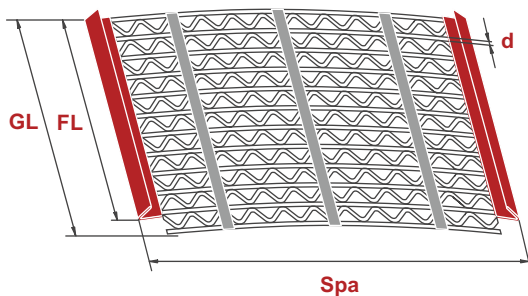


They are produced with wires of round diameter – straight and wavy placed alternately on the horizontal working surface. Wave spread span equals 90° or 60°. Working size of W opening is created by the diameter of the circle written into this opening. Straight, round wires have a slightly larger diameter than wavy ones. This series of screens characterizes with high ability to withstand heavy loads (owing to very well stretched straight wires) and good self-cleaning effect, obtained by self – oscillation of wavy wires.

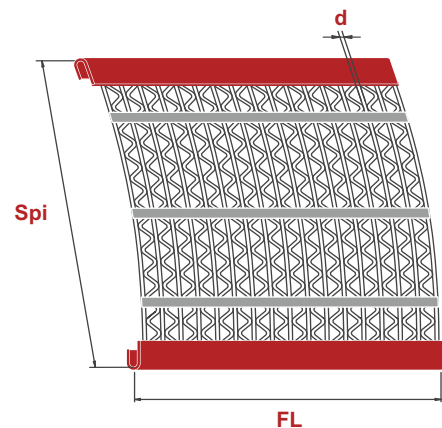
Opening sizes: 1,2 - 20,0 mm; **Ø Wire:** 1,0 - 4,0 mm

Wires in this series of screens can be connected with each other using wire knots, polyurethane, rubber or transverse wires inside plastic cover.

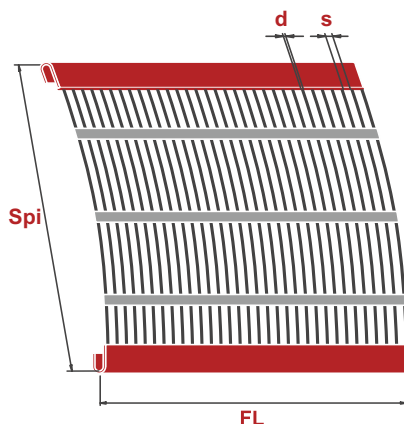
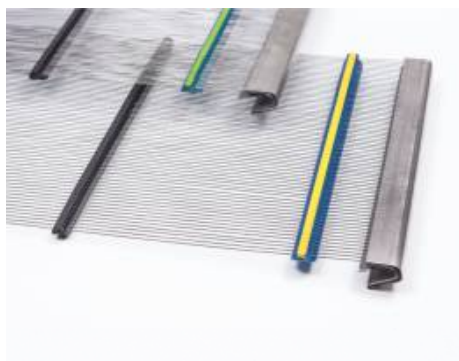
TRANSVERSELY TENSIONED



LENGTHWISE TENSIONED



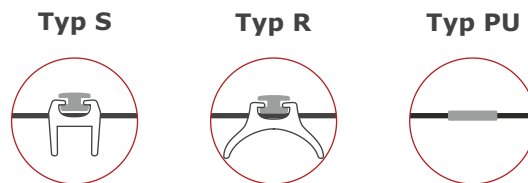
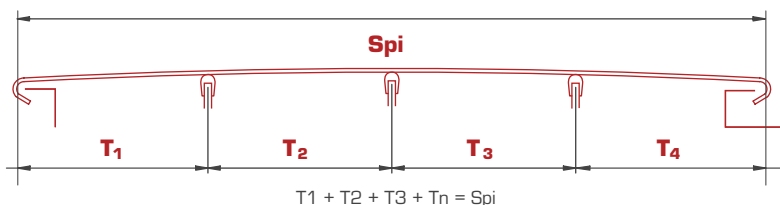
PIANO SCREENS



Those screens are made of straight wires with round diameter. They are connected with each other using transverse wires, plastic, wires inside plastic cover or mobile patches made of plastic. Rectangular opening shapes and large clearance areas of the screen guarantee no clogging. That is why this type of screens is mainly used to classify very sticky materials, such as: slit or sand with clay. Those screens are produced of round wires made of spring steel, chromium steel (stainless) and chromium - nickel steel (acid-proof).

Opening sizes: 1,2 - 55,0 mm; **Ø Wire:** 0,8 - 8,0 mm

For screens, which oscillate during work and this effects their self-cleaning abilities, a precise tensioning is required. This can be done in tensioning frames or screen cases which enable screen's working wires oscillating nature. It is also very important to correctly place their transverse interlaces, which should be the same as placement of screener traverses, equipped with a rubber profile.



TYPE OF HOOK'S

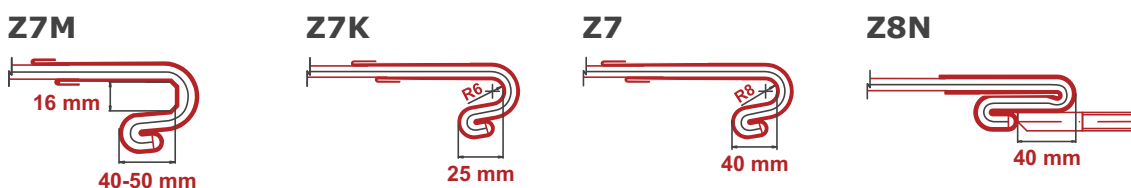
Harp screens (transversely tensioned)



Harp screens (lengthwise tensioned)



Piano screens (lengthwise tensioned)



Hook systems (transversely tensioned)



Hooks system (lengthwise tensioned)





www.progress-screens.com



Progress Eco Spółka z ograniczoną odpowiedzialnością S.K.A.
Dobrów 7, 28-142 Tuczępy, Poland

International Sales (Working hours: Monday - Friday / 8.00-16.00 UTC+1)
T: +48 41 346 50 06 (ext.120) F: +48 41 346 50 08 E: sales@progress-screens.com

www.progress-screens.com

